



The new generation  
of skid steer loaders.

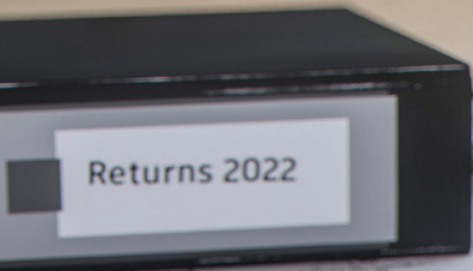
**ELISE 900<sup>MK3</sup>**

first.green

**Fully electric,  
noiseless,  
zero emission.**



Cost **effective,**  
nearly no  
maintenance.





# Powered with technology.

**Elise 900.** The world's first electric skid steer loader represents the highest technology and years of experience of FIRSTGREEN Industries.



Battery endurance

**6+** hours

Dependant on use, conditions and configuration

Hinge pin height


**3637** mm

356mm higher reach than the competing average

Side tilt

**47°**

10° higher tilt angle than competing average



100% electric, extremely low noise, 0 emission

On stock in 3 days

Lithium battery available

Low operational costs

Retrofitable modular construction

Microspeed for precise control

Self-leveling gyro platform

Chassis clearance

**262** mm

44 mm higher  
than competing average

Remote control

**50** m

15 m with  
smart app

Loading capacity

**900** kg

Suitable for most  
construction tasks

# Technical specs.



## GENERAL SPECIFICATIONS

Rated load capacity 900 kg

Tipping load 1 800 kg

Minimum travel speed 0.15 km/h

Maximum speed 12 km/h

Maximum travel speed 12 km/h

## MOTOR

Electric engine type 3xGEW

Rated power 3x10 kW

Maximum power 3x27 kW

Maximum torque 3x120 Nm

## TUNE-UP YOUR MACHINE

### Options

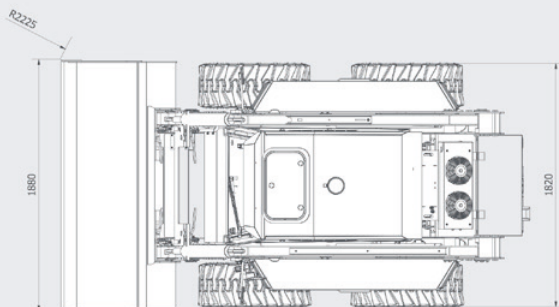
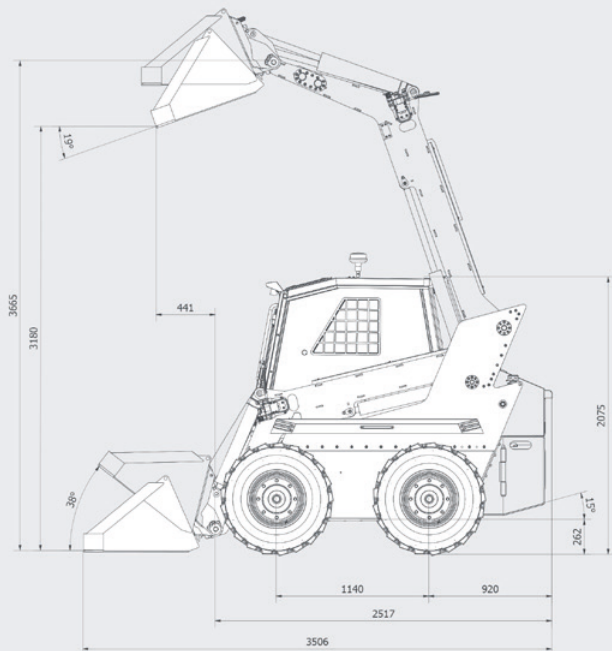
- Windowless cabin re-build set
- Air conditioning
- Hard-mounted display
- Integrated charger for the extended battery option
- 3 phase charger, or twin 1 phase chargers
- Safety open door sensor
- Standard lead-acid battery with 240 Ah capacity
- Extended lead-acid battery with 400 Ah capacity
- Lithium battery options
- Rubber or steel track set for increased traction
- Cable set pre-install for electric attachments

### Standard features

- Rear-view camera
- Left and right rear-view mirror
- Mandatory lighting
- Front work light
- Rear work lights
- Orange beacon light
- Reversing alarm
- Off-road wheels
- Safety opening window
- Front roller sunshade
- Tinted glass
- Windshield wiper with sprayer
- Safety reinforced cab
- Seat with safety belt and operator detector system
- Quick coupler – SAE J2513
- ISO joystick control
- Vertical bucket stabilization system
- Electric heater
- Android smartphone with control app
- External battery charger
- User and maintenance manual

Compare technical specifications for this product online at [first.green](#)

*ELISE 900*



## WEIGHTS

**Rated operating weight** 3 300 kg

**Total weight of the loader** 4 200 kg

## HYDRAULICS

**Hydraulic oil pressure** 180 Bar

**Hydraulic oil flow** 65 l/min

**Hydraulic oil reservoir** 40 l



Maintenance



Logistics



Construction



Forestry



Agriculture





# With a wide range of attachments.



Standard bucket



Concrete mixer



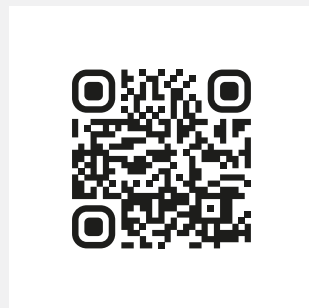
Pallet forks



Hammer



Auger



... plus 34 other attachments  
on [first.green](https://www.first.green)



For more FIRSTGREEN products, visit  
**first.green**

+420 737 633 733, [info@first.green](mailto:info@first.green)